

Multi-function 1 output galvanically separated

Multi-function 1 output

Multi-function 1 output

Multi-function 2 outputs

EAN code:

RFSAI-61BPF-SL: 8595188189101

RFSAI-11B-SL: 8595188183758

RFSAI-61B-SL: 8595188182041

RFSAI-62B-SL: 8595188182010

Technical parameters

	RFSAI-61BPF-SL	RFSAI-11B-SL	RFSAI-61B-SL	RFSAI-62B-SL
Supply voltage:	230 V AC			
Supply voltage frequency:	50-60 Hz			
Apparent input:	7 VA / $\cos \varphi = 0.1$			
Dissipated power:	0.7 W			
Supply voltage tolerance:	+10%; -15 %			

Output

Number of contacts:	1x switching	2xswitching
Rated current:	8 A / AC1	
Switching power:	2000 VA / AC1	
Peak current:	I _{peak} < 110A 300us / max. input capacity 125 uF	
Switching voltage:	250 V AC1	
Mechanical service life:	1x10 ⁷	
Electrical service life (AC1):	1x10 ⁵	

Control

Wireless:	25-channels	2x 12-channels		
Number of functions:	6	1	6	6
Communication protocol:	RFIO2			
Frequency:	866-922 MHz (for more information see p.72)			
Repeater function:	yes			
Manual control:	button PROG (ON/OFF)			
External button / switch:	yes			
Range:	in open space up to 200 m			

Other data

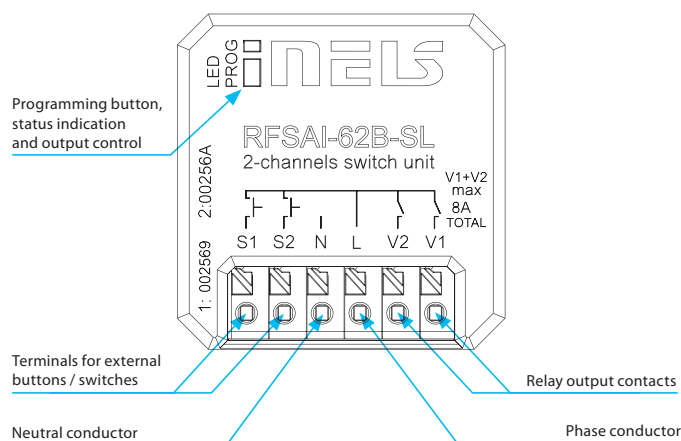
Operating temperature:	-15 to + 50 °C		
Operating position:	any		
Mounting:	free at lead-in wires		
Protection:	IP40		
Overvoltage category:	III.		
Contamination degree:	2		
Connection:	screwless terminals		
Connecting conductor:	0.2-1.5 mm ² solid/flexible		
Dimensions:	43 x 44 x 22 mm		
Weight:	31g	45 g	
Related standards:	EN 60730, EN 63044, EN 300 220, EN 301 489		

Function description

1. Button, impulse relay and time functions of delayed start or return with time setting 2 s-60 min. Any function can be assigned to each output relay.
2. The programming button on the element also serves as a manual input control.

- The switching component with one/two output relays is used to control appliances and lights. Switches/buttons connected to the wiring can be used for control.
- They can be combined with Detectors, Controllers or iNELS RF Control System Components.
- The BOX-SL version offers installation directly in the installation box, ceiling or cover of the controlled appliance. Easy installation thanks to screwless terminals.
- It allows the connection of switched loads with a total sum of 8 A (2,000 W).
- Functions: for RFSAI 61B-SL, RFSAI 62B-SL and RFSAI-61BPF-SL - pushbutton, impulse relay and time functions of delayed start or return with time setting 2 s-60 min. Any function can be assigned to each output relay. For RFSAI-11B-SL, the button has a fixed function - ON / OFF.
- The external button is assigned in the same way as the wireless one.
- Each of the outputs can be controlled by up to 12/12 channels (1-channel represents one button on the controller). Up to 25 channels for RFSAI 61B-SL, RFSAI 62B-SL and RFSAI-61BPF-SL.
- The programming button on the component also serves as a manual output control.
- Possibility to set the output status memory in case of failure and subsequent power recovery.
- The elements of the repeater can be set for the components via the RFAF / USB service device, PC, application.
- Range up to 200 m (outdoors), in case of insufficient signal between the controller and the device, use the RFRP-20 signal repeater or component with the RFIO2 protocol that support this function.
- Communication with bidirectional RFIO2 protocol.
- The contact material of the AgSnO₂ relay enables switching of light ballasts.

Device description



Connection

